



**KBE 30 - 35**

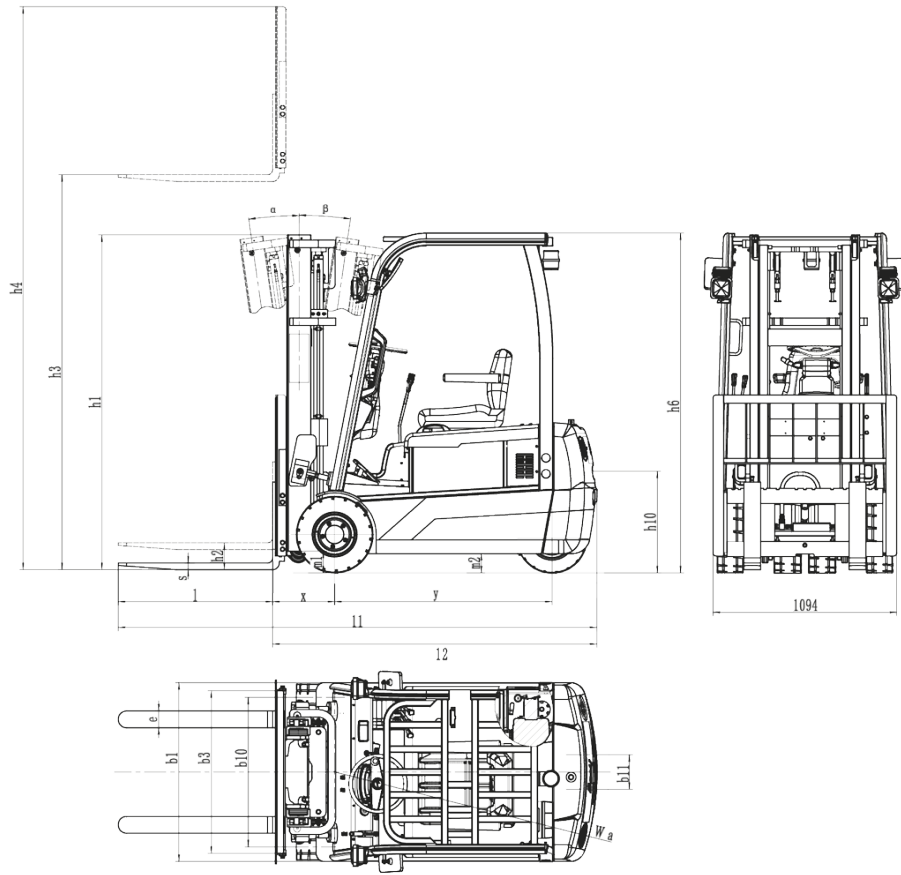
---

1.1	Manufacturer		KION BAOLI
1.2	Manufacturer's type designation		KBE 30
1.3	Drive: electric, diesel, petrol, fuel gas		Electric
1.4	Operator type: hand, pedestrian, standing, seated, order-picker		Seated
1.5	Rated capacity / Rated load	Q (t)	3,0
1.6	Load centre distance	c (mm)	500
1.8	Load distance, centre of drive axle to fork	x (mm)	464
1.9	Wheelbase	y (mm)	1630
2.1	Service weight	Kg	4780
2.2	Axle loading, laden front/rear	Kg	6730/1050
2.3	Axle loading, unladen front/rear	Kg	2170/2610
3.1	Tyres: solid rubber, superelastic, pneumatic, polyurethane		S/E
3.2	Tyre size, front		23×9-10
3.3	Tyre size, rear		18×7-8
3.5	Wheels, number front/rear (x = driven wheels)		2x/2
3.6	Tread, front	b10 (mm)	1040
3.7	Tread, rear	b11 (mm)	980
4.1	Tilt of mast/fork carriage forward/backward	α/β (°)	6/10
4.2	Height, mast lowered	h1 (mm)	2040
4.3	Free lift	h2 (mm)	100
4.4	Lift	h3 (mm)	3000
4.5	Height, mast extended	h4 (mm)	4273
4.7	Height of overhead guard (cabin)	h6 (mm)	2164
4.8	Seat height/stand height	h7 (mm)	1000
4.12	Coupling height	h10 (mm)	255
4.19	Overall length	l1 (mm)	3559
4.20	Length to face of forks	l2 (mm)	2489
4.21	Overall width	b1/b2 (mm)	1265
4.22	Fork dimensions ISO 2331	s/e/l (mm)	45/125/1070
4.23	Fork carriage ISO 2328, class/type A, B		III A
4.24	Fork carriage width	b3 (mm)	1100
4.31	Ground clearance, laden, below mast	m1 (mm)	105
4.32	Ground clearance, centre of wheelbase	m2 (mm)	140
4.34.1	Aisle width for pallets 1000 x 1200 crossways	Ast (mm)	3894
4.34.2	Aisle width for pallets 800 x 1200 crossways	Ast (mm)	3694
4.35	Turning radius	Wa (mm)	2230
4.36	Internal turning radius	b13 (mm)	1345
5.1	Travel speed, laden/unladen	km/h	12/14
5.2	Lift speed, laden/unladen	m/s	0,280/0,420
5.3	Lowering speed, laden/unladen	m/s	0,410/0,330
5.8	Max gradeability, laden/unladen	%	10/15
5.10	Service brake		Electromechanical
6.1	Drive motor rating S2 60 min	kW	9
6.2	Lift motor rating at S3 15%	kW	19
6.4	Battery voltage/nominal capacity K5	V/Ah	80 / 500/600
6.5	Battery weight	kg	1375~1500
10.1	Operating pressure for attachments	bar	160
10.7	Sound pressure level at driver's seat	dB (A)	≤75

# Electric trucks

KBE 30								
Mast type	H3	Rated Capacity - Load center 500 mm	Rated Capacity - Load center 500 mm - with Sideshift	H1	H4 with load backrest	H2 without load backrest	H2 with load backrest	Mast angle Front/back
VM Tele	2500	3000	2850	1790	3773	145	145	6/10
	2700	3000	2850	1890	3973	145	145	6/10
	3000	3000	2850	2040	4273	145	145	6/10
	3300	3000	2850	2190	4573	145	145	6/10
	3500	3000	2850	2290	4773	145	145	6/10
	3700	3000	2850	2390	4973	145	145	6/10
	4000	2850	2700	2590	5273	145	145	6/8
	4500	2500	2350	2840	5773	145	145	6/6
VFM 2 stage	2500	3000	2850	1790	3773	1127	557	6/10
	2700	3000	2850	1890	3973	1227	657	6/10
	3000	3000	2850	2040	4273	1377	807	6/10
	3300	3000	2850	2190	4573	1527	957	6/10
	3500	3000	2850	2290	4773	1627	1057	6/10
	3700	3000	2850	2390	4973	1727	1157	6/10
	4000	2850	2700	2590	5273	1927	1357	6/8
	4500	2500	2350	2840	5773	2117	1607	6/6
VFHM triplex	4000	2750	2600	1965	5273	1350	732	6/6
	4350	2600	2450	2090	5623	1475	857	6/6
	4500	2400	2250	2140	5773	1525	907	6/6
	4700	2200	2050	2205	5973	1590	972	6/6
	4800	2200	2050	2240	6073	1625	1007	6/6
	5000	2000	1850	2383	6273	1768	1150	6/6
	5400	1500	1350	2583	6673	1968	1350	3/6
	5500	1500	1350	2617	6773	2002	1384	3/6
	6000	1100	950	2850	7273	2235	1617	3/6
	6500	700	550	3100	7800	2350	1850	3/3

KBET



KBE

