



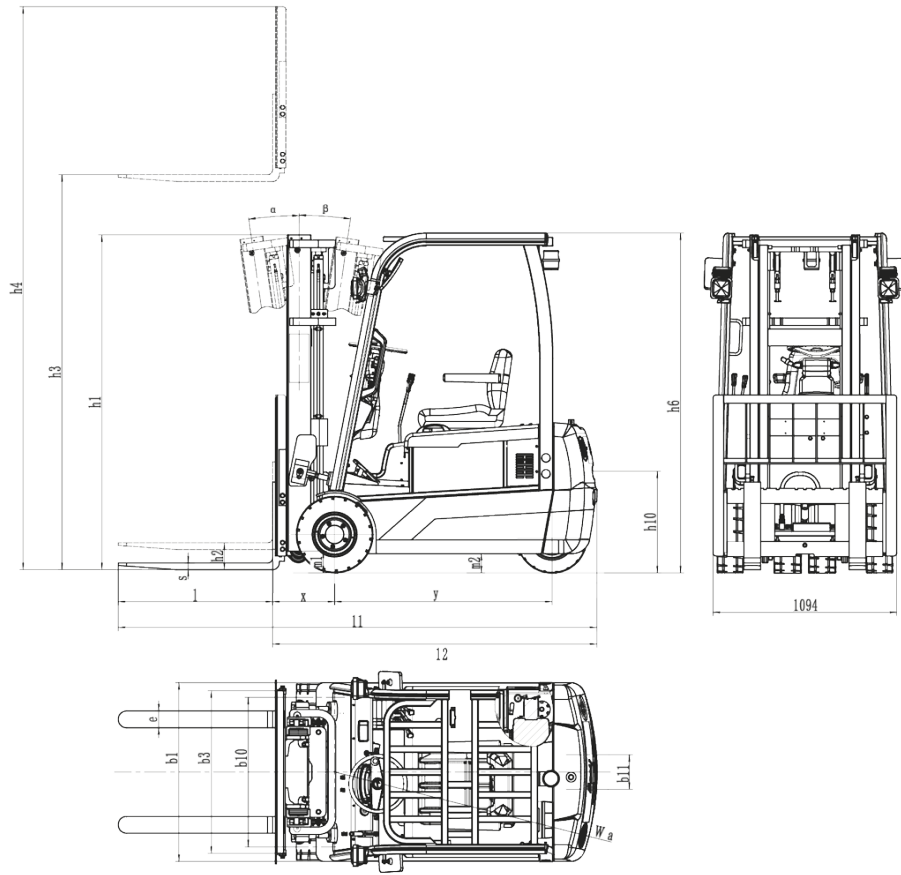
KBE 15 - 25

1.1	Manufacturer		KION BAOLI
1.2	Manufacturer's type designation		KBE 20
1.3	Drive: electric, diesel, petrol, fuel gas		Electric
1.4	Operator type: hand, pedestrian, standing, seated, order-picker		Seated
1.5	Rated capacity / Rated load	Q (t)	2,0
1.6	Load centre distance	c (mm)	500
1.8	Load distance, centre of drive axle to fork	x (mm)	434
1.9	Wheelbase	y (mm)	1500
2.1	Service weight	Kg	3860
2.2	Axle loading, laden front/rear	Kg	5090/770
2.3	Axle loading, unladen front/rear	Kg	1740/2120
3.1	Tyres: solid rubber, superelastic, pneumatic, polyurethane		PN
3.2	Tyre size, front		23X9-10-16PR
3.3	Tyre size, rear		18X7-8-14PR
3.5	Wheels, number front/rear (x = driven wheels)		2x/2
3.6	Tread, front	b10 (mm)	1040
3.7	Tread, rear	b11 (mm)	950
4.1	Tilt of mast/fork carriage forward/backward	α/β (°)	6/10
4.2	Height, mast lowered	h1 (mm)	2050
4.3	Free lift	h2 (mm)	100
4.4	Lift	h3 (mm)	3000
4.5	Height, mast extended	h4 (mm)	4040
4.7	Height of overhead guard (cabin)	h6 (mm)	2177
4.8	Seat height/stand height	h7 (mm)	1147
4.12	Coupling height	h10 (mm)	232
4.19	Overall length	l1 (mm)	3360
4.20	Length to face of forks	l2 (mm)	2290
4.21	Overall width	b1/b2 (mm)	1265
4.22	Fork dimensions ISO 2331	s/e/l (mm)	40/122/1070
4.23	Fork carriage ISO 2328, class/type A, B		II A
4.24	Fork carriage width	b3 (mm)	1040
4.31	Ground clearance, laden, below mast	m1 (mm)	115
4.32	Ground clearance, centre of wheelbase	m2 (mm)	140
4.34.1	Aisle width for pallets 1000 x 1200 crossways	Ast (mm)	3754
4.34.2	Aisle width for pallets 800 x 1200 crossways	Ast (mm)	3554
4.35	Turning radius	Wa (mm)	2120
4.36	Internal turning radius	b13 (mm)	1245
5.1	Travel speed, laden/unladen	km/h	12/14
5.2	Lift speed, laden/unladen	m/s	0,310/0,420
5.3	Lowering speed, laden/unladen	m/s	0,450/0,410
5.8	Max gradeability, laden/unladen	%	12/15
5.10	Service brake		Electromechanical
6.1	Drive motor rating S2 60 min	kW	8
6.2	Lift motor rating at S3 15%	kW	16.5
6.4	Battery voltage/nominal capacity K5	V/Ah	48 / 630/700
6.5	Battery weight	kg	1010~1160
10.1	Operating pressure for attachments	bar	160
10.7	Sound pressure level at driver's seat	dB (A)	≤75

Electric trucks

KBE 20								
Mast type	H3	Rated Capacity - Load center 500 mm	Rated Capacity - Load center 500 mm - with Sideshift	H1	H4 with load backrest	H2 without load backrest	H2 with load backrest	Mast angle Front/back
VM Tele	2500	2000	1850	1800	3540	140	140	6/12
	3000	2000	1850	2050	4040	140	140	6/12
	3300	2000	1850	2200	4340	140	140	6/12
	3500	2000	1850	2300	4540	140	140	6/12
	3600	2000	1850	2350	4640	140	140	6/12
	4000	1900	1750	2600	5040	140	140	6/8
	4500	1600	1450	2850	5540	140	140	6/8
	5000	1100	950	3100	6040	140	140	3/6
VFM 2 stage	2500	2000	1850	1800	3540	1210	800	6/12
	2700	2000	1850	1900	3740	1310	900	6/12
	3000	2000	1850	2050	4040	1460	1050	6/12
	3300	2000	1850	2200	4340	1610	1200	6/12
	3500	2000	1850	2300	4540	1710	1300	6/12
	4000	1900	1750	2600	5040	2010	1600	6/8
	4500	1600	1450	2850	5540	2260	1850	6/6
VFHM triplex	3600	1800	1650	1850	4640	1237	850	6/6
	4000	1800	1650	1975	5040	1362	975	6/6
	4350	1700	1550	2100	5390	1487	1100	6/6
	4500	1600	1450	2150	5540	1537	1150	6/6
	4700	1400	1250	2215	5740	1602	1215	6/6
	4800	1400	1250	2250	5840	1637	1250	6/6
	5000	1300	1150	2393	6040	1780	1393	6/6
	5400	1100	950	2593	6440	1980	1593	3/6
	5500	1100	950	2627	6540	2014	1627	3/6
	6000	600	450	2860	7040	2247	1860	3/6

KBET



KBE

