

Z181.720===

Technical drawing

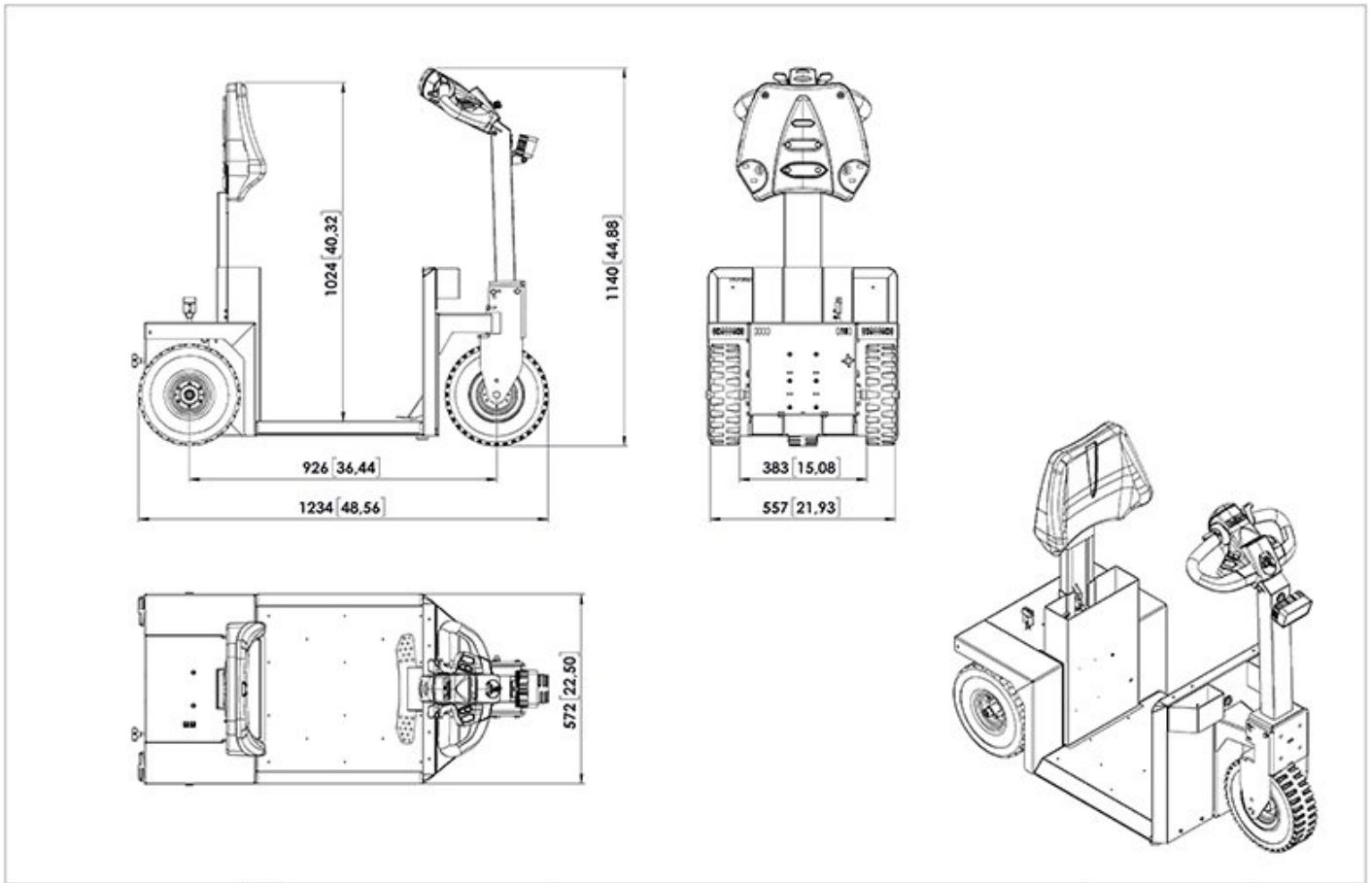


	TABLE: Z181.720		mm / [inch]	1:10
--	------------------------	--	-------------	------

Technical data

1. Characteristics

Réf.no.	Description	U.M.	Valeur
1.01	Model number		Z181.720===
1.02	Model name		K2
1.03	Manufacturer		Zallys
1.04	Operator		Standing
1.05	Power unit		Electric
1.07	CE certification		

1. Frame characteristics

Réf.no.	Description	U.M.	Valeur
1.80	Frame made of		Steel
1.81	Basic process		Sandblasting
1.83	Frame treatment		Polyester powder coating

2. Safety data

Réf.no.	Description	U.M.	Valeur
2.02	Emergency reverse button		On tiller head
2.06	Power supply disconnection device / Emergency stop		Detachable power connector
2.10	Acoustic signaling		Beeper
2.11	Drive controls		Maintained action switch
2.20	Handarm vibration		<2,5
2.22	Noise level at operator's ears		<70

3. Performances

Réf.no.	Description	U.M.	Valeur
3.01	Max. forward speed		10
3.02	Max. backward speed		10
3.11.2	Max.towing capacity on flat ground (with ballasts) **		1500
3.18	N ° Operators		1
3.23	Max towing force at hook **		800

Réf.no.	Description	U.M.	Valeur
3.25	Stopping distance in deceleration (without load)		3
3.38	* Load capacity is subject to kind of slope , kind of floor and operating time		
3.40	** While the force expressed in N at the hook remains unchanged, the following circumstances may affect the towing capacity expressed in KG : type of ground on which the towing is performed, the use (or not) of ballasts and type of wheels mounted on the vehicle and on the trailer		

4. Drive controls

Réf.no.	Description	U.M.	Valeur
4.01	Type of control		Tillerhead
4.02	Type of start control		Butterfly lever
4.04	Speed control		5 speed button assembled on the tiller head (optional)

5. Standard battery specifications

Réf.no.	Description	U.M.	Valeur
5.01	Batteries		2
5.02	Batteries type		Traction AGM batteries
5.03	Battery voltage		12
5.04	Nominal Capacity 5 h		29
5.05	Nominal Capacity 20 h		36
5.06	Weight of each battery		10
5.10	Weight of battery pack		23,5

5. Optional battery specifications

Réf.no.	Description	U.M.	Valeur
5.11	Batteries pcs		2
5.12	Batteries type		Traction AGM batteries
5.13	Battery voltage		12
5.14	Nominal Capacity 5/h		37
5.15	Nominal Capacity 20/h		45
5.16	Weight of each battery		14
5.18	Weight of 37/45A AGM battery pack		37

5. Optional battery specifications

Réf.no.	Description	U.M.	Valeur
5.21	Batteries		1
5.22	Batteries type		Traction - Lithium
5.23	Battery voltage		24
5.24	Nominal Capacity k5		40
5.26	Weight of each battery		13

6. Available chargers

Réf.no.	Description	U.M.	Valeur
6.40	Standard voltage		220/240
6.41	Multitension		110/240
6.42	Plug		In use in the country of destination

6. Technical data of standard charger

Réf.no.	Description	U.M.	Valeur
6.01	Battery charger		External - high frequency
6.02	Input voltage		110 / 240
6.03	Input Frequency		50-60
6.05	Battery charger capacity		4
6.06	Power consumption during complete charge cycle		1
6.07	Operating temperature		-20 / +40
6.08	Operation display		Led
6.09	Input fuse		5
6.10	Cooling system		Ventilation cooling
6.11	IP degrees of protection		IP20
6.12.1	Width		95
6.12.2	Length		185
6.12.3	Height		55

7. Drive motor

Réf.no.	Description	U.M.	Valeur
7.03	Engine		Electric
7.04	Electricity		Direct current
7.05	Engine voltage		24
7.10	Rating (S2 - 10')		0,8
7.15	Maximum peak power		1,6

8. Technical data

Réf.no.	Description	U.M.	Valeur
8.01	Transmission system		Mechanical
8.02	Transmission lubrication		In oil bath
8.06	Service brake		Electronic
8.08	Parking brake		Electro-Mechanical

9. Weight

Réf.no.	Description	U.M.	Valeur
9.01	Weight without batteries		128

10. Dimensions

Réf.no.	Description	U.M.	Valeur
10.01	Length		1234
10.02	Width		557
10.05.3	Height		1140
10.14	Wheelbase		926
10.15	Turning circle		1900
10.50	**For further details please click on technical draws		

11. Standard wheels

Réf.no.	Description	U.M.	Valeur
11.01	Drive wheels		2
11.02	Steering wheels		1
11.05	Tyres		Super-elastic non-marking wheel
11.07	Drive wheels type		Turf tires
11.09	Steering wheel type		Turf tires
11.13	Drive tyres size		3.00-4"
11.15	Steering wheel size		3.00-4"