

GX 12/29 - FREELIFT

THE COMPACT STACKER



This compact, powerful and robust stacker is the ideal solution for working in confined spaces.

The reduced width (800 mm), the lateral driving system and the wide mast positioning allow great manoeuvrability, stability and visibility.

Built-in battery charger with integrated cable and plug make it a plug and play unit!

GX

The STANDARD version is equipped with starting type battery, a tiller made with metal tube and ergonomic controls. This configuration is the best value for money choice.

FREELIFT

This stacker is available with a total Free Lift configuration, enabling to rise the forks up to 1492 mm from the ground level, without increasing the minimum machine height (1965 mm).

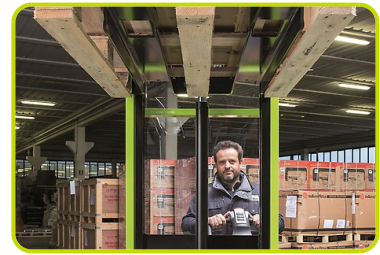
This makes it possible to use the stacker even in workplaces characterized by reduced heights.

GX12



MANOEUVRABILITY

The overall width is the same as the Europallet (800 mm) to allow working in narrow spaces and corridors, increasing manoeuvrability and reducing the turning radius. The combination of side guide, wide mast and low cover offer outstanding visibility.



TILLER

Fully integrated ergonomic tiller system including finger tip throttle and fork controls, safety pushbutton, horn and turtle button.



TURTLE MODE SWITCH

Offered as standard, this function enables operating the truck in confined spaces: it allows the unit to travel with the tiller in upright position.

This function is activated by pressing the turtle button on the tiller and rotating the drive control throttle. The truck travels at limited speed.

Release the button to disable this function.



COVER

Strong ABS cover with storage compartments on top, easily removable to speed up maintenance operations. The bottom access opening enables an immediate disassembly of motor wheel, portal and tiller without lifting the machine. Schuko plug with spiral cable for an easy battery charging.



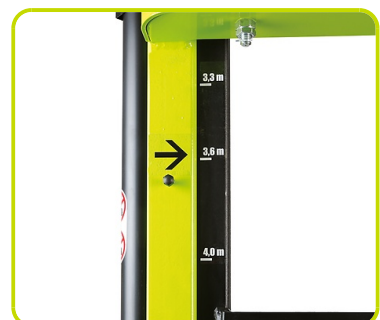
BATTERY PACK BASIC

The separate battery compartment is the housing of starting batteries. Such batteries are lightweight and inexpensive and are ideal for discontinuous use.



MAST

Wide mast with sticker ruler enables the operator to easily check the forks elevation by sight.



Description

| | | | |
|----------------------------|---|----|------------------|
| 1.1 Manufacturer | | | PR INDUSTRIAL |
| 1.3 Drive | | | Electric |
| 1.4 Operator type | | | Pedestrian |
| 1.5 Load capacity | Q | kg | 1200 |
| 1.6 Load centre distance | c | mm | 600 |
| 1.8 Load axle to end forks | x | mm | 780 |
| 1.9 Wheel base | y | mm | 1234 |

Weights

| | | | |
|---------------------------------------|--|----|------|
| 2.1 Service weight (battery included) | | kg | 575 |
| 2.2 Axle load, laden rear | | kg | 1187 |
| 2.2 Axle load, laden front | | kg | 588 |
| 2.3 Axle load, unladen front | | kg | 413 |
| 2.3 Axle load, unladen rear | | kg | 162 |

Tyres/Chassis

| | | | |
|--|-----|----|---------|
| 3.1 Tyres: front wheels | | | RUBBER |
| 3.1 Tyres: stabilizers wheels - front | | | POLY.C. |
| 3.1 Tyres: rear wheels | | | POLY.C. |
| 3.2 Tyre size: Steering wheels - Width | | mm | 76 |
| 3.2 Tyre size: Steering wheels - Diameter | | mm | 250 |
| 3.3 Tyre size: Load rollers - Diameter | | mm | 82 |
| 3.3 Tyre size: Load rollers - Width | | mm | 70 |
| 3.4 Tyre size: stabilizers wheels front - Diameter | | mm | 100 |
| 3.4 Tyre size: stabilizers wheels front - Width | | mm | 38 |
| 3.5 Tyre size: rear wheels - Q.ty (X=driven) | | nr | 2 |
| 3.5 Tyre size: front wheels - Q.ty (X=driven) | | nr | 1x+1 |
| 3.6 Tread, front | b10 | mm | 565 |
| 3.7 Tread, rear | b11 | mm | 410 |

Dimensions

| | | | |
|--|-----------|----|------|
| 4.2 Height, mast lowered | h1 | mm | 1965 |
| 4.3 Normal free lifting | h2 | mm | 1402 |
| 4.4 Lift height | h3 | mm | 2810 |
| 4.5 Height, mast extended | h4 | mm | 3372 |
| 4.9 Height of tiller in drive position min | h14 | mm | 915 |
| 4.9 Height of tiller in drive position max | h14 | mm | 1310 |
| 4.15 Height, lowered | h13 | mm | 90 |
| 4.19 Overall length | l1 | mm | 1760 |
| 4.20 Length to face of forks | l2 | mm | 610 |
| 4.21 Overall width | b1/ b2 | mm | 800 |
| 4.22 Fork dimensions - Thickness | s | mm | 70 |
| 4.22 Fork dimensions - Width | e | mm | 150 |
| 4.22 Fork dimensions - Length | l | mm | 1150 |
| 4.24 Fork carriage width | b3 | mm | 650 |
| 4.25 Distance between fork arms | b5 | mm | 560 |
| 4.32 Ground clearance, centre of wheelbase | m2 | mm | 20 |
| 4.34 Aisle width | Ast | mm | 2210 |
| 4.35 Turning radius | Wa | mm | 1430 |

Performance data

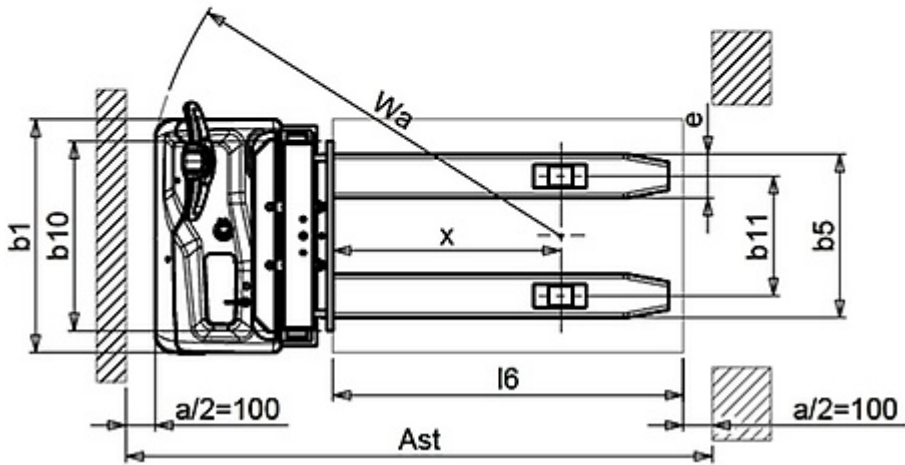
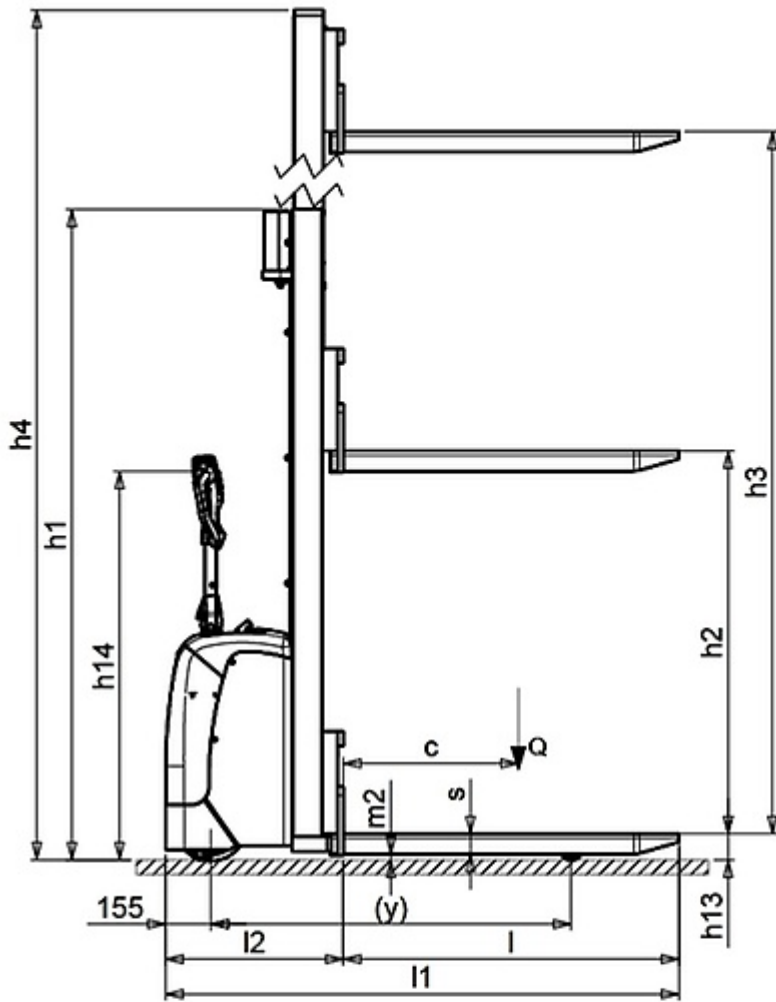
| | | |
|------------------------------|------|----------|
| 5.1 Travel speed laden | km/h | 4.7 |
| 5.1 Travel speed unladen | km/h | 5.2 |
| 5.2 Lifting speed laden | m/s | 0.10 |
| 5.2 Lifting speed unladen | m/s | 0.18 |
| 5.3 Lowering speed laden | m/s | 0.02 |
| 5.3 Lowering speed unladen | m/s | 0.22 |
| 5.8 Max gradeability laden | % | 5 |
| 5.8 Max gradeability unladen | % | 10 |
| 5.10 Service brake | | Electric |

Electric motors

| | | |
|---|-------|------------|
| 6.1 Drive motor power | kW | 0.7 |
| 6.2 Lift motor power | kW | 2.2 |
| Battery Type | Type | AUTOMOTIVE |
| 6.4 Battery voltage | V | 24 |
| 6.4 Battery capacity, Min | Ah | 85 |
| 6.4 Battery capacity, Max | Ah | 85 |
| 6.5 Battery weight | kg | 38 |
| 6.6 Energy consumption according to VDI cycle | kWh/h | 0.9 |
| 8.4 Sound level at driver's ear | dB(A) | 62 |

Residual lifting capacity

| | | |
|-----------------------------|----|------|
| Lifting height (H3) 2500 mm | Kg | 1200 |
| Lifting height (H3) 2900 mm | Kg | 800 |



The information is aligned with the Data file at the time of download. Printed on 11/07/2022 (ID 16950)

©2022 | PR INDUSTRIAL s.r.l. | All rights reserved | Image shown may not reflect actual package. Specifications subject to change without notice

