



New additions to our attachments range 2021

Flexibility & experience



Agri



Construction



Industry

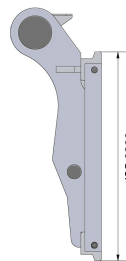
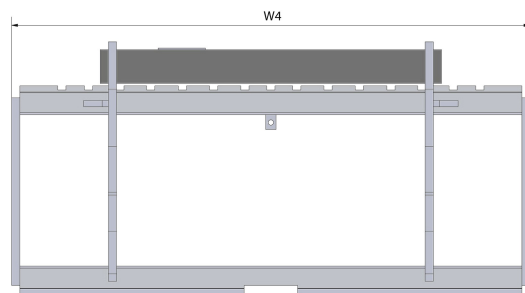


Food & beverage



Paper handling

Pallet forks frame for telehandlers



Working with a telehandler? Make sure it's ready to handle any type of load with a pallet fork frame. This handy attachment enables you to equip your telehandler with all kinds of FEM attachments, such as fork positioners, sidershifters, rotators, bale clamps and more. A pallet fork frame turns your telehandler into a multifunctional machine that's ready for any job, whenever you need it.

We have an extensive range of pallet fork frames for telehandlers to suit any make, such as Manitou, Merlo, JCB and Dieci, covering mounting classes FEM 1 to FEM 4. This means you're sure to find the pallet fork frame you need at CAM attachments.



Technical data

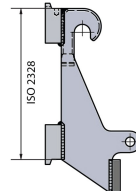
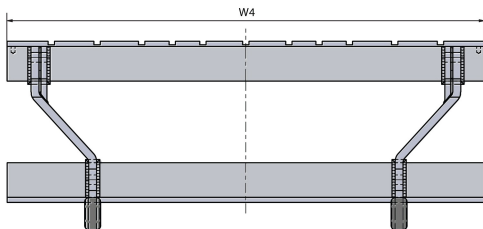
Suitable for	ISO 2328	FEM 2	FEM 2			FEM 3		FEM 4		
	Capacity	1500 kg	2500 kg			5000 kg		8000 kg		
	Width W4	1200 mm	1200 mm	1500 mm	2000 mm	1200 mm	1500 mm	1500 mm	2000 mm	2400 mm
Claas	-	-	CC26714	CC26716	CC26718	CC26720	CC26722	-	-	-
Dieci	-	CC26682	CC26684	CC26686	CC26688	CC26690	CC26692	CC26694	CC26696	CC26698
GENIE	-	CC26700	CC26702	CC26704	CC26706	CC26708	CC26710	-	-	-
JCB Q-fit	-	CC26560	CC26562	CC26564	CC26566	CC26540	CC26568	CC26570	CC26572	CC26670
Kramer 180-350	-	CC26712	CC26592	CC26594	CC26596	-	-	-	-	-
Kramer 380-580	-	-	CC26598	CC26600	CC26602	CC26604	CC26606	-	-	-
MANITOU	-	CC26544	CC26548	CC26546	CC26550	CC26538	CC26552	CC26554	CC26556	CC26558
MATBRO	-	CC26662	CC26582	CC26584	CC26586	CC26588	CC26590	CC26664	CC26666	CC26668
MERLO ZM2	-	CC26660	CC26574	CC26576	CC26578	CC26542	CC26580	-	-	-
MERLO ZM3	-	-	-	-	-	CC26672	CC26674	CC26676	CC26678	CC26680
Pin & Cone	-	-	CC26734	CC26736	CC26738	CC26740	CC26742	-	-	-
Schaeffer	-	-	CC26620	CC26622	CC26624	CC26626	CC26628	-	-	-
Weidemann	-	CC26608	CC26610	CC26612	CC26614	CC26616	CC26618	-	-	-

Pallet forks frame for tractors



Working with a tractor-loader? Make sure it's ready to handle any type of load with a pallet fork frame. This handy attachment enables you to equip your tractor-loader with all kinds of FEM attachments, such as fork positioners, sidershifters, rotators, bale clamps and more. A pallet fork frame turns your tractor-loader into a multifunctional machine that's ready for any job, whenever you need it.

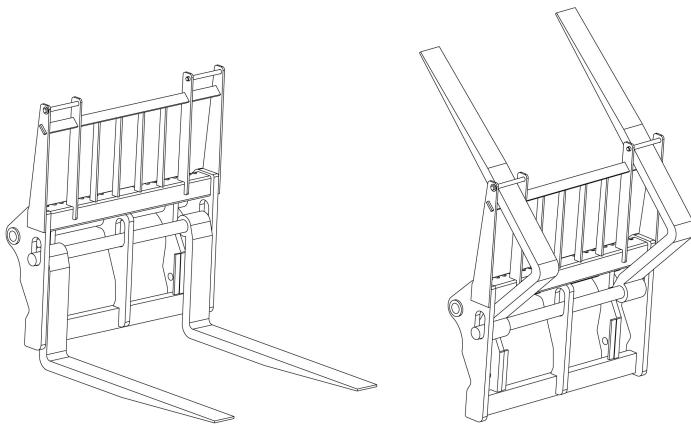
We have an extensive range of pallet fork frames for tractor-loader to suit several makes. This means you're sure to find the pallet fork frame you need at CAM attachments.



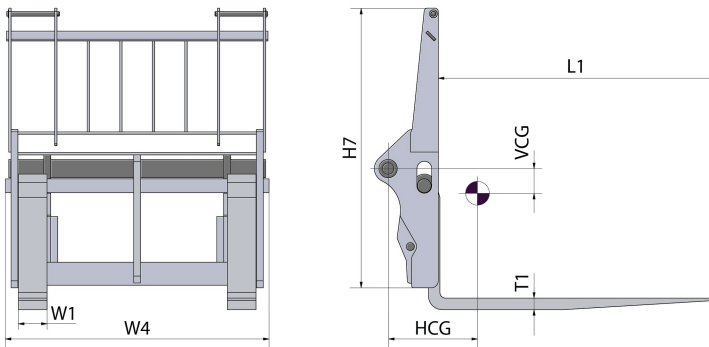
Technical data

Suitable for	ISO 2328	FEM 2		FEM 2	
	Capacity	1500 kg		2500 kg	
	Width W4	1200 mm	1200 mm	1500 mm	2000 mm
3-Punkt Cat 6		CC26630	CC26632	CC26634	CC26636
ÅLÖ (quicke nr 3)		CC26638	CC26640	CC26642	CC26644
Chilton		CC26744	CC26746	CC26748	CC26750
EURO (quicke nr 8)		CC26646	CA99536	CC26648	CC26650
Faucheux		CC26760	CC26762	CC26764	CC26766
MX Mailleux		CC26752	CC26754	CC26756	CC26758
VILA/VALTRA		CC26652	CC26654	CC26656	CC26658

Floating forks carriage



Need to move large pallets or bulky items? Fit your telehandler or tractor-loader with floating forks. They make handling pallets simple, even on uneven ground. Floating forks are designed with convenience in mind. Moving bulky materials or bagged items, such as bags of cement, has never been easier. Plus, the forks can be clamped into an upright position, enabling you to drive on public roads when necessary. At CAM attachments, we have a range of floating pallet forks to suit your telehandler or tractor-loader.

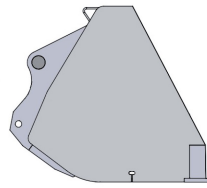
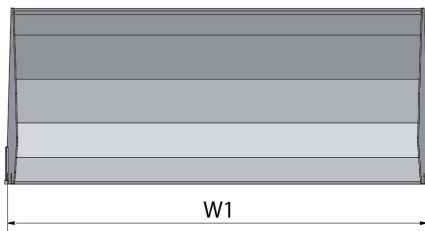
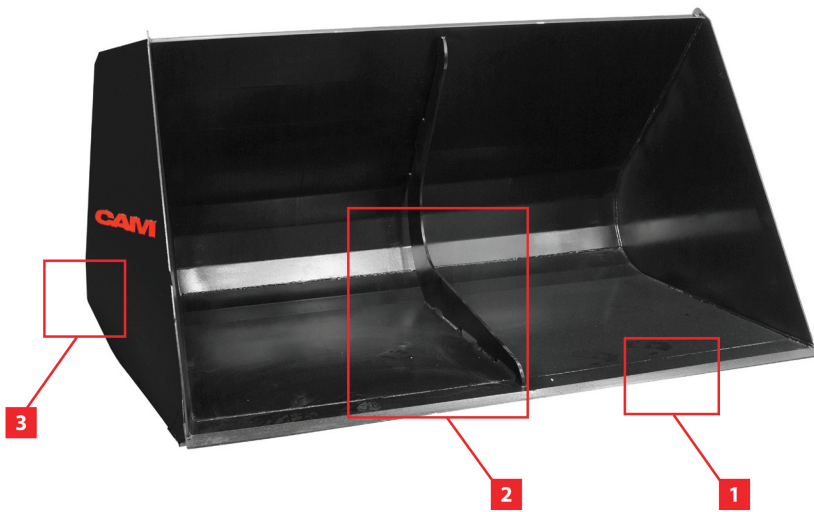


Technical data

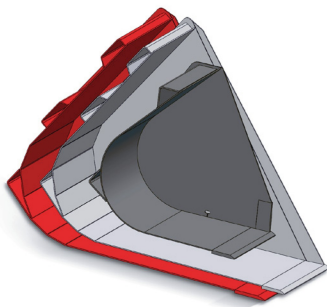
Suitable for	REF	Capacity	W4	H7	HCG	VCG	Weight	Forks*
		kg/mm	mm	mm	mm	mm	kg	L1 x W1 x T1 mm
Telehandlers								
Genie	CC25338	4100/500	1140	1210	139	119	147	1200 x 125 x 45
JCB Q-fit	CC25330	4100/500	1140	1210	132	252	170	1200 x 125 x 45
JLG	CC25336	4100/500	1140	1210	126	131	163	1200 x 125 x 45
Manitou	CC25332	4100/500	1140	1210	65	102	196	1200 x 125 x 45
Merlo ZM2	CC25340	4100/500	1140	1210	94	109	136	1200 x 125 x 45
Merlo ZM3	CC25342	4100/500	1140	1364	92	289	152	1200 x 125 x 45
Tractors								
Euro hook	CC25334	4100/500	1140	1210	98	132	160	1200 x 125 x 45

* other fork dimensions on request

Loading buckets



Different models available



- Bucket 2580 l - 2750 l volume
General bucket
- Bucket 1930 l - 2350 l volume
General bucket
- Bucket 500 l - 1160 l volume
Digging bucket

The carefully thought-out design of our buckets resulted in a conical shape. This saves you space when you transport your attachments. The quality welding ensures your bucket will be durable for many years to come.

Today, the bucket range at CAM attachments is still growing. With an extensive range of different capacities and connections for Dieci, Euro, Genie, JCB, JLG, Manitou and Merlo, you're sure to find the bucket you need.

Characteristics

1. Reinforced steel blade to increase resistance to wear.
2. Reinforcement rib inside the bucket to prevent warping.*
3. High-quality welding for optimal durability.
4. The conical shape makes it easy to fill and completely empty the bucket.
5. Wear strips along the bottom of the bucket protect the underside of the attachment.
6. Curved reinforcement profiles give the bucket extra strength and resilience.
7. Profiled side plates for greater strength.
8. Extremely durable cutting edge: 500HB hardness.

*Valid only for the buckets starting from 2000 l volume

Medium-load capacity

recommended for machines with **50-100 hp engines**



Heavy-load capacity

recommended for machines with **100-200 hp engines**





Technical details

Suitable for Genie	Suitable for JCB Q-fit	Suitable for JLG*	Suitable for Manitou	Suitable for Merlo ZM2	Suitable for Merlo ZM3***	Suitable for Dieci* 2800kg < 4500kg	Suitable for Dieci* 2500kg	Suitable for Euro*	Bucket width W1	Volume	Capacity	Load capacity	Max capacity	RRP
									mm	l	m ³	kg/m ³	kg	euro
Medium-load capacity buckets • recommended for machines with 50–100 hp engines														
CC16504	CC16502	CC16506	CC16498**	CC16500**	-	-	CC28094	CC31040	1850	500	0,64	1600	1025	1080
CC16462	CC16444	CC16470	CC16390	CC16398	CC16406	CC28096	-	CC31042	1900	900	1,08	1600	1725	1280
CC16464	CC16446	CC16472	CC16392	CC16400	CC16408	CC28098	-	CC31044	2100	990	1,2	1600	1925	1350
CC16466	CC16448	CC16474	CC16394	CC16402	CC16410	CC32046	-	CC31046	2300	1090	1,33	1600	2120	1430
CC16468	CC16450	CC16476	CC16396	CC16404	CC16412	CC28100	-	CC31048	2450	1160	1,42	1600	2270	1500
CC16478	CC16452	CC16484	CC16420	CC16414	CC16426	CC28102	-	CC31050	1900	1930	2,33	950	2210	1900
CC16480	CC16454	CC16486	CC16422	CC16416	CC16428	CC28104	-	CC31052	2100	2140	2,6	950	2470	2000
CC16482	CC16456	CC16488	CC16424	CC16418	CC16430	CC28106	-	CC31054	2300	2350	2,88	950	2730	2140
CC16490	CC16458	CC16494	CC16436	CC16432	CC16440	CC28108	-	CC31056	2300	2580	3,14	900	2820	2280
CC16492	CC16460	CC16496	CC16438	CC16434	CC16442	CC28110	-	CC31058	2450	2750	3,36	900	3020	2430
Heavy-load capacity buckets • recommended for machines with 100–200 hp engines														
CC02710	CC02728	CC02746	CC02764	CC02782	CC16564	CC28112	-	CC31060	1900	900	1,08	2150	2322	1540
CC02712	CC02730	CC02748	CC02766	CC02784	CC16566	CC28114	-	CC31062	2100	990	1,2	2150	2580	1610
CC02714	CC02732	CC02750	CC02768	CC02786	CC02796	CC28116	-	CC31064	2300	1090	1,33	2150	2860	1680
CC02716	CC02734	CC02752	CC02770	CC02788	CC02798	CC28118	-	CC31066	2450	1160	1,42	2150	3053	1750
CC02718	CC02736	CC02754	CC02772	CC02790	CC16568	CC28120	-	CC31068	1900	1930	2,33	1150	2680	2180
CC02720	CC02738	CC02756	CC02774	CC02792	CC16570	CC28122	-	CC31070	2100	2140	2,6	1150	2990	2250
CC02722	CC02740	CC02758	CC02776	CC02794	CC02800	CC28124	-	CC31072	2300	2350	2,88	1150	3312	2320
CC02724	CC02742	CC02760	CC02806	CC02778	CC02802	CC28126	-	CC31074	2300	2580	3,14	1000	3140	2715
CC02726	CC02744	CC02762	CC02808	CC02780	CC02804	CC28128	-	CC31076	2450	2750	3,36	1000	3360	2860

* These buckets also fit CAT and Deutz machines

** Manitou / Merlo ZM2 gross price € 1100

*** Merlo ZM3 is gross price + € 150 for the medium load capacity buckets and + € 100 for the heavy load capacity buckets

* Latest additions

RRP = Recommended resale price

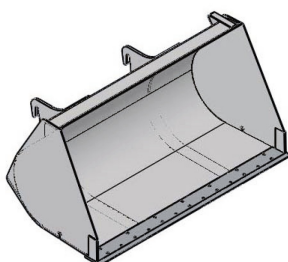
Options

	REF
Double blade 500 HB	
L=2450 mm - 8 holes	CC04744
L=2300 mm - 8 holes	CC04746
L=2100 mm - 7 holes	CC04748
L=1900 mm - 6 holes	CC04750

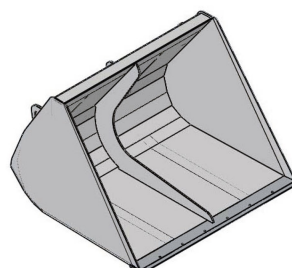
Available on request

- > Adapter for boom and video camera
- > Blades
- > Teeth for buckets with 500 & 900 l volumes
- > Camera to mount on bucket (REF 151TA2974)

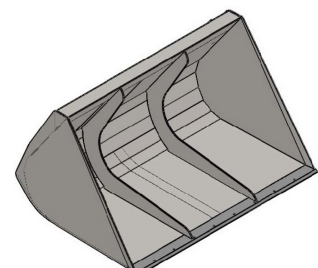
500 l - 1160 l • Digging bucket



1930 l - 2350 l • General bucket



2380 l - 2750 l • General bucket



Discover our extended range of attachments



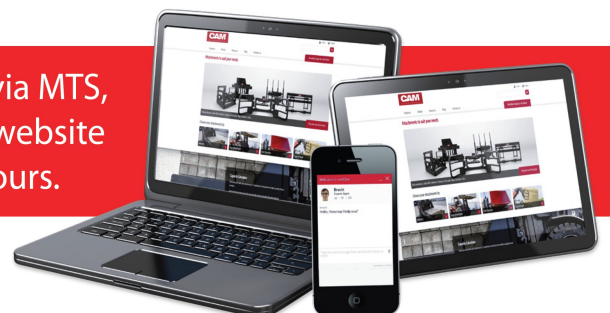
Price list 2021

- > **DE:** REF 15580728
- > **EN:** REF 15207220
- > **ES:** REF 15384915
- > **FR:** REF 15580734
- > **IT:** REF 15421723
- > **NL:** REF 15580719
- > **PL:** REF 15580694
- > **PT:** REF 15580713
- > **RU:** REF 15580735

Product catalogue 2020

- > **DE:** REF 48016408
- > **EN:** REF 48016419
- > **ES:** REF 48016416
- > **FR:** REF 48016475
- > **IT:** REF 48016411
- > **NL:** REF 48016494
- > **PL:** REF 48016477
- > **PT:** REF 48016492
- > **RU:** REF 48016483

Order you copy via MTS,
download it on the CAM attachments website
or ask your sales agent for yours.



Looking for other attachments?

Visit our website to see our full range of attachments and related products



> The capacity calculator **automatically calculates residual capacity.**



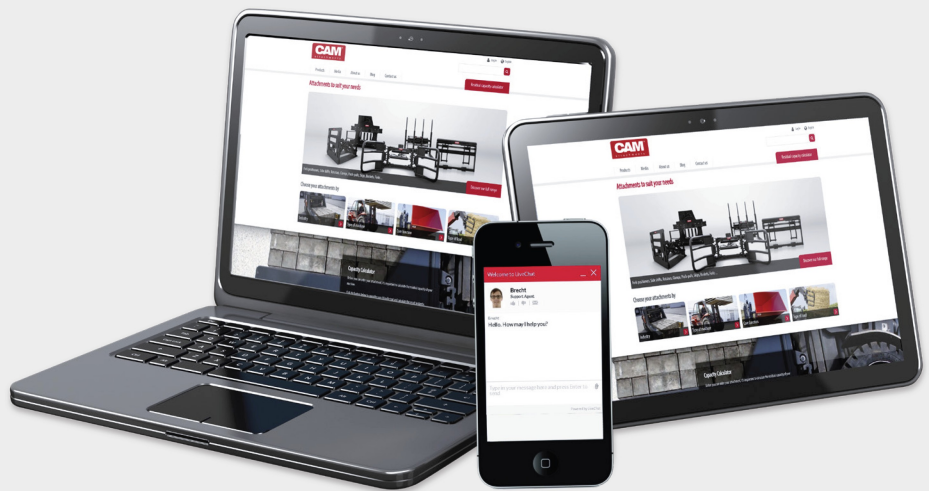
> **Detailed product leaflets** with all the details for different products and product groups.



> See our attachments in action! Our informative product movies **show you what's possible.**



> Log in to the website to download your **user manual** or **spare-parts lists.**

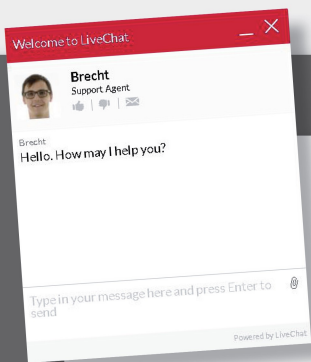


www.camattachments.com

Did you have a question?

We have the answers.

Go to www.camattachments.com and click on the chat function. Perfect for urgent questions and anyone who just wants to say hello ... **We are at your service.**



Stay up to date



Make sure you know the latest CAM attachments news. Follow us on Facebook and LinkedIn for informative updates.

Need more info?

Do you have questions about our attachments? Your sales advisor is happy to help you. Alternatively, fill in the contact sheet on our website. **We are happy to help you!**

CAM
attachments

www.camattachments.com
info@camattachments.com



Brabantstraat 15
8790 Waregem
Belgium
T +32 56 43 42 11
F +32 56 43 44 88

Your dealer:

© 02-2021. TVH Parts Holding nv, Brabantstraat 15, B-8790 Waregem. CAM attachments is a trademark of TVH Parts Holding nv. All rights reserved. No part of this publication may be reproduced or communicated in any form or by any means, electronic or mechanical, including copying, recording or use in an information storage or retrieval system, without prior and explicit permission. Printing errors reserved. Prices exclude VAT and transport, unless explicitly provided otherwise. Photographs and illustrations are included for reference purposes only.